

Traffic Truss Arms



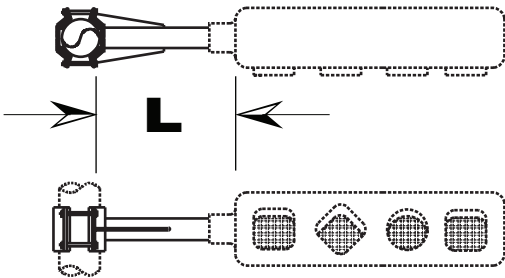
For use with Truss Traffic Poles

ISO 9001-2000
Registered Quality System



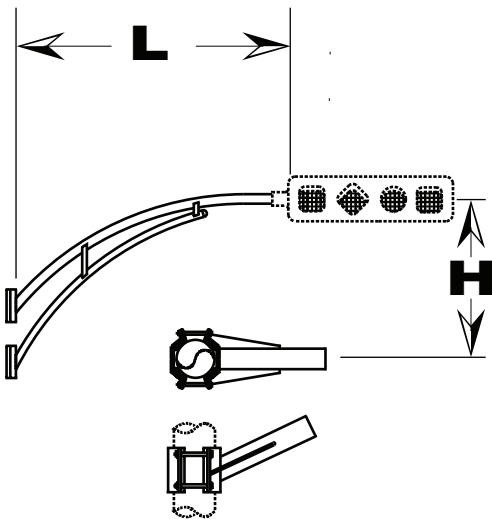
SPECIFICATION GUIDE

CATALOG NUMBER	Diameter L	Tubing	Wall Thickness
	Inches	Inches	Inches
TTA-14-KIT	14	4 O.D.	0.188
TTA-18-KIT	18	4 O.D.	0.188
TTA-24-KIT	24	4 O.D.	0.188



SPECIFICATION GUIDE

CATALOG NUMBER	Diameter L	H	Tubing	Wall Thickness
	Feet	Feet	Inches	Inches
TTA-72-KIT	6	3'	4 O.D.	0.188
TTA-96-KIT	8	3'-9"	4 O.D.	0.188
TTA-120-KIT	10	3'-9"	4 O.D.	0.188
TTA-144-KIT	12	3'-9"	4 O.D.	0.188



Traffic Lighting

