

Elliptical Arms RE



Universal Mounting for all Pole Types

APPLICATION

Elliptical arm applications include street, highway, parking lot, residential and area lighting. The arms can be used for all types of mounting applications whether aluminum, steel, concrete, fiberglass or wood poles.

SPECIFICATIONS

The aluminum arms are made of 6063 aluminum alloy, tapered to 2^{3/8}" O.D. and heat treated to T6 after welding. Arms come with a 1" wire hole located 2" from the mounting plate.

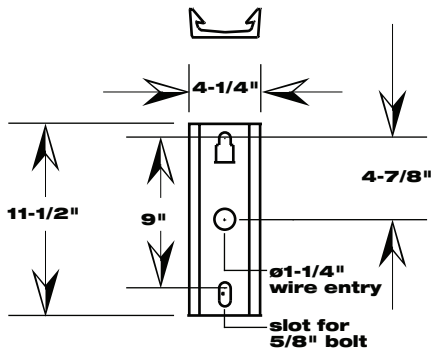
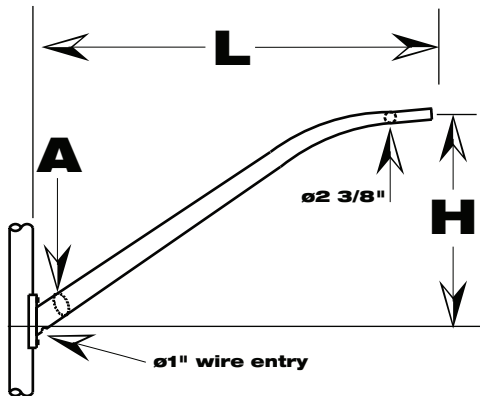
NOTE: Mounting hardware can be supplied upon request.

FINISH

Standard finish is natural aluminum. Painted or polished finishes are also available. Consult your representative for details.

WIND LOAD

Elliptical arms type "LA" are suitable for 2^{1/2} sq. ft. x 50 lbs. Type "MA" are suitable for 2^{1/2} sq. ft. x 60 lbs.



ISO 9001-2000
Registered Quality System



SPECIFICATION GUIDE

CATALOG NUMBER	L	H	Taper	Wall Thickness	Ellipse A
	Feet	Feet	Inches	Inches	Inches
RE2MA	2	1	3 - 2 ^{3/8}	.125	2 ^{1/2} x 3 ^{3/8}
RE4LA	4	2	3 - 2 ^{3/8}	.125	2 ^{1/2} x 3 ^{3/8}
RE6LA	6	3	3 - 2 ^{3/8}	.125	2 ^{1/2} x 3 ^{3/8}
RE6MA	6	3	3 ^{1/2} - 2 ^{3/8}	.125	2 ^{1/2} x 4 ^{1/4}
RE8MA	8	4	3 ^{1/2} - 2 ^{3/8}	.125	2 ^{1/2} x 4 ^{1/4}
RE10LA	10	4	4 - 2 ^{3/8}	.125	2 ^{3/4} x 4 ^{15/26}
RE10MA	10	4	3 ^{1/2} - 2 ^{3/8}	.156	2 ^{1/2} x 4 ^{1/4}
RE12LA	12	4	4 - 2 ^{3/8}	.125	2 ^{3/4} x 4 ^{15/26}

ADJ Adjustable Arms

Universal Mounting for Wood Poles



APPLICATION

Adjustable arms applications include street, highway, parking lot, residential and area lighting. The arm can be used for all types of mounting applications whether aluminum, steel or concrete but their intent is to be used on wood poles in order to correct the different angles a wood pole can have.

SPECIFICATIONS

The aluminum arms are made of 6063-T6 aluminum alloy pipe 2 3/8" O.D. The mounting plate is drilled with 9" center to center bolt holes, is constructed of high strength steel and comes with a grounding lug attached to the side of the pole plate.

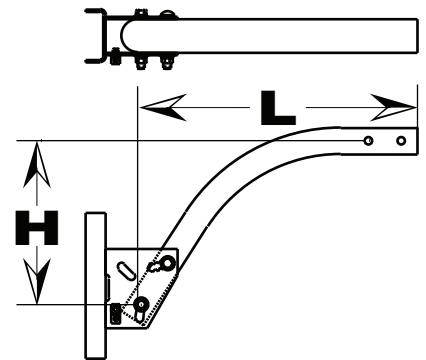
NOTE: Mounting hardware can be supplied upon request.

FINISH

Standard finish is natural aluminum. Painted, polished and anodized finishes are also available. Consult your representative for details.

WIND LOAD

Adjustable arms are suitable for 2 1/2 sq. ft. x 60 lbs.



ISO 9001 - 2000
Registered Quality System

SPECIFICATION GUIDE

CATALOG NUMBER	Arm Length L	Arm Height H	Pipe Diameter
	Feet	Feet	Inches
2 ADJ-2A	2	1' 3"	2 3/8
4 ADJ-2A	4	1' 6"	2 3/8
6 ADJ-2A	6	2' 0"	2 3/8
8 ADJ-2A	8	2' 11"	2 3/8
10 ADJ-2A	10	3' 10"	2 3/8
12 ADJ-2A	12	5' 0"	2 3/8
14 ADJ-2A	14	5' 0"	2 3/8
16 ADJ-2A	16	8' 0"	2 3/8

