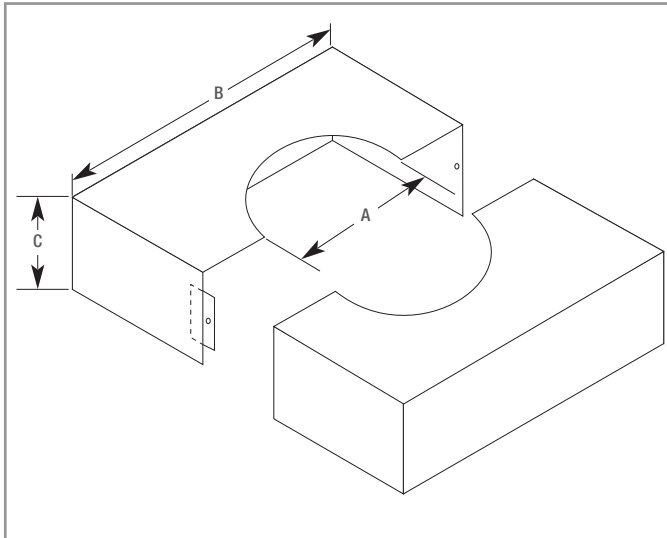


# Aluminum Square Base covers



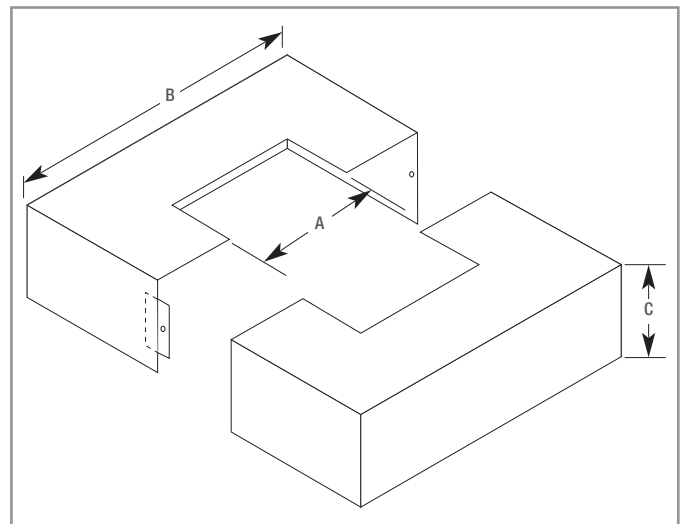
## Round Poles



PART NUMBER	POLE SIZE "A"	BASE COVER WIDTH "B"	BASE COVER HEIGHT "C"
BCSQ-4RD	4"	9"	3"
BCSQ-5RD	5"	9"	3"
BCSQ-6RD	6"	12"	4"
BCSQ-7RD	7"	12"	4"
BCSQ-8RD	8"	12"	4"
BCSQ-8RD-16	8"	16"	4"
BCSQ-10RD	10"	14"	5.5"

## Square Poles

PART NUMBER	POLE SIZE "A"	BASE COVER WIDTH "B"	BASE COVER HEIGHT "C"
BCSQ-4SQ	4"	9"	3"
BCSQ-5SQ	5"	12"	4"
BCSQ-6SQ	6"	13"	4"



## Specification

### Material:

Constructed of  $\frac{3}{32}$ " thick 6061 aluminum alloy sheet, base cover are assembled, rapidly using two 8-32" screws.

### Finish:

All standard colors are available to mach pole finish.

### Colors:

- BZ= Bronze
- BK= Black
- WH = White
- GR = Forest Green
- GY = Light Gray